

**Bushing Data:**

Rated Voltage	800	kV
Phase to-earth Voltage	485	kV
Dry Lightning Impulse I, 2/50µs	1950	kV
Wet Switching Impulse	1360	kV
Wet Power frequency AC	850	kV
Routine test Imin dry 50Hz	940	kV
Rated Current	2500	A
Creepage Distance	15060	mm
Mass	2320	kg

**Ordering Data:**

**BUSHING**  
 LF121084 -C / -AC COLOUR AIR INSULATOR  
 BROWN / LIGHT GREY

**OUTER TERMINAL**

LF170 073-A Al	H2 (mm)	D2 (mm)
LF170 073-B Cu	125	60
LF170 073-G Cu/Ag	125	60
OTHER TYPES ON REQUEST	125	60

**END-SHIELD**

LF170 046-X EPOXY INSULATED  
 LF170 046-XP INSULATED WITH 5 mm PRESSBOARD

**DRAW ROD SYSTEM**

LF170 059 LOWER DRAW ROD WITH NI=4 OR NI=6  
 LF170 057 UPPER DRAW ROD

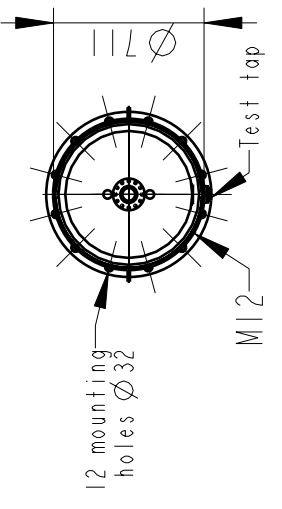
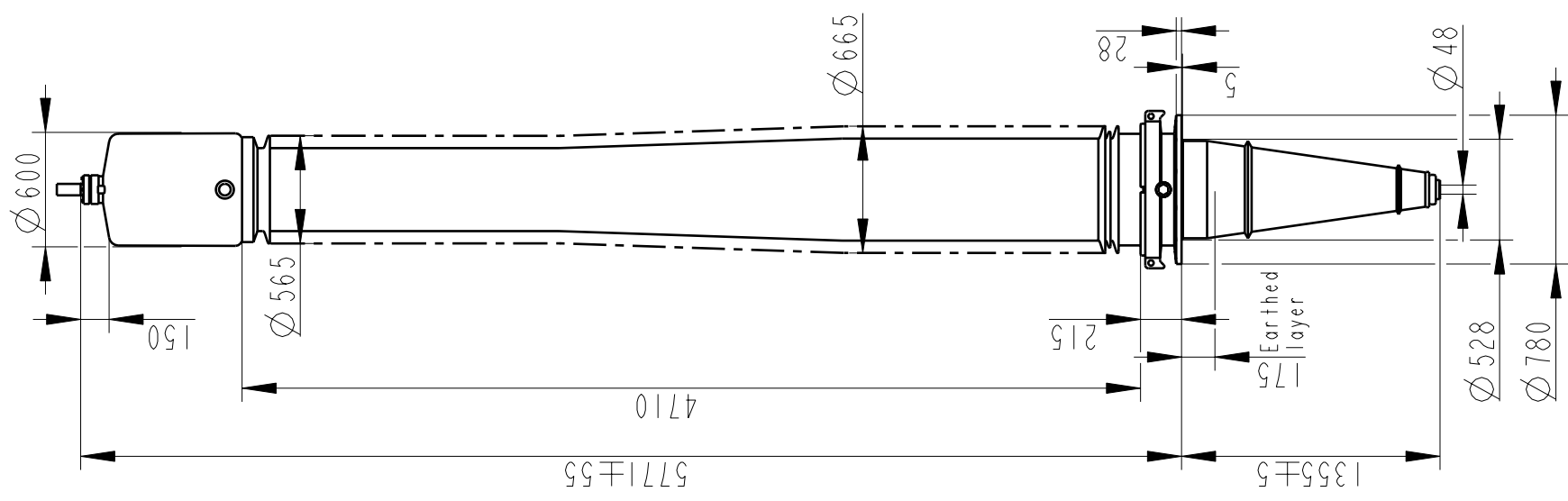
**INNER TERMINAL**

D3 (mm)	D9 (mm)	Cond.area (mm <sup>2</sup> )	Current (A)	IEEC
LF170 056-E O*)	45	-	-	-
LF170 056-D	45	600	1600	1360

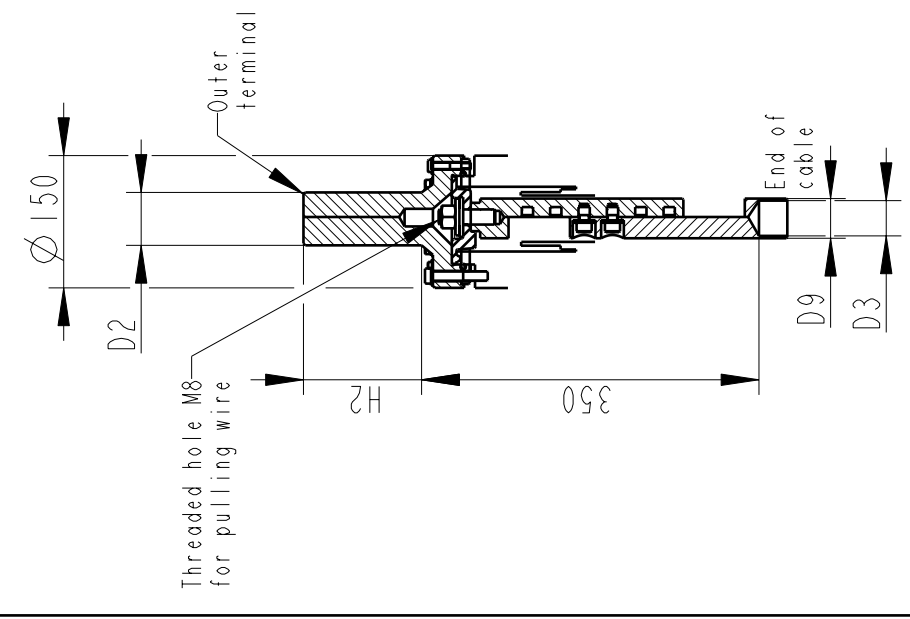
\*) WITH PILOT HOLE D=5

**ABB Components** Lutha, Sweden

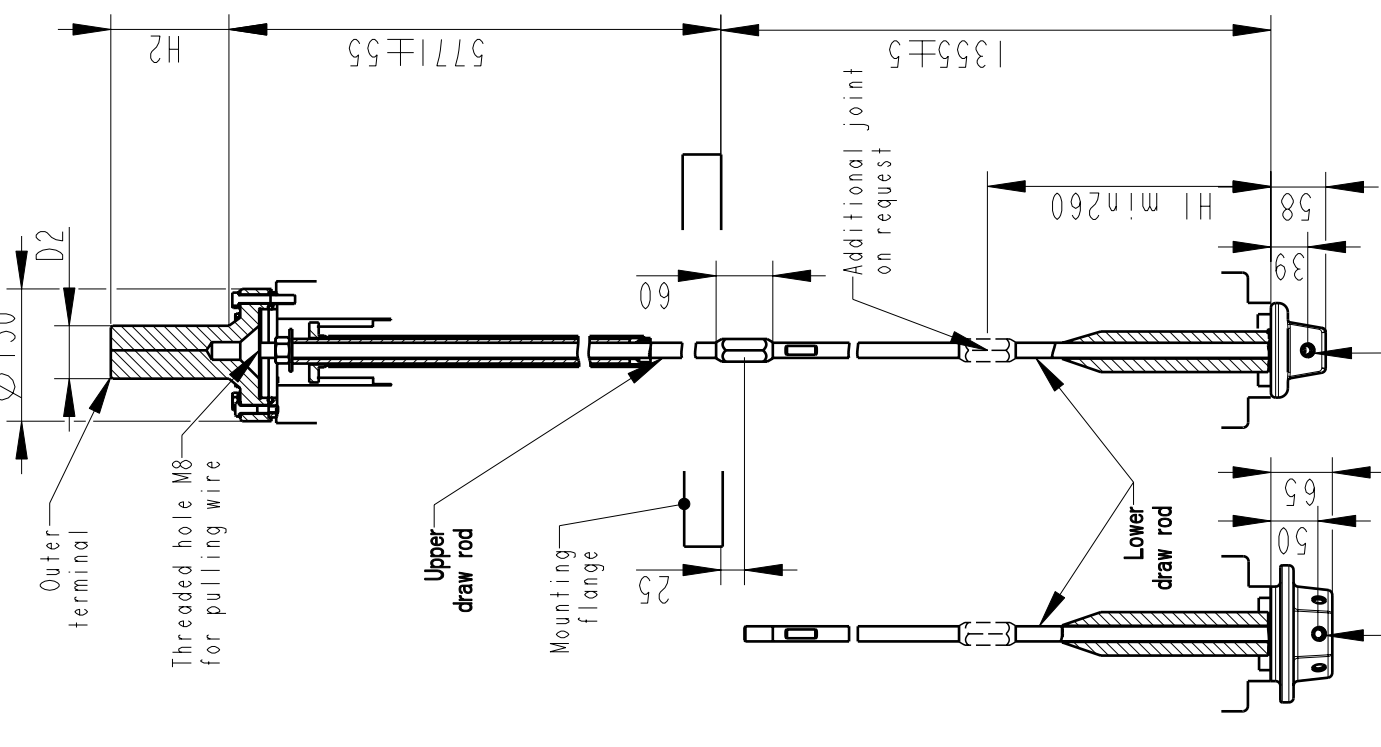
No.	kV	A	50/60 Hz
U <sub>1</sub>	kV	SI	kV AC
M	kg	L	mm D
C1	pf	Tanδ	;
C2	pf	Tanδ	;



**INNER TERMINAL / OUTER TERMINAL**

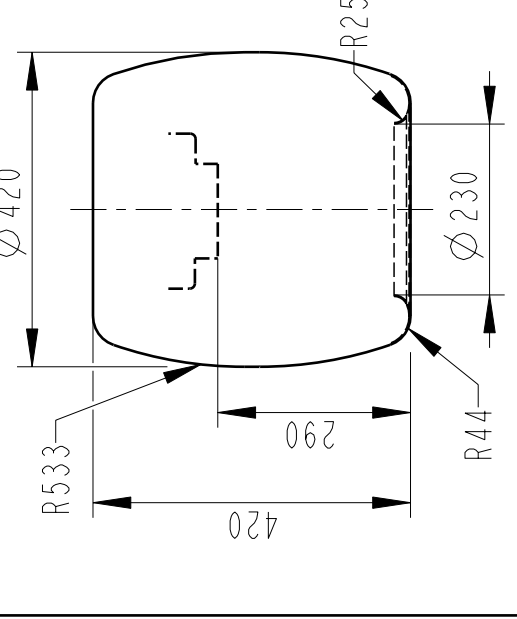


**DRAW ROD SYSTEM / OUTER TERMINAL**



NI=Number of holes M12, equipped with thread insert with screw lock, depth 20, for cable lugs.

**END SHIELD**



Based on	Reg. No.	Title
Prepared	Responsible department	GOE - 1950 - 1360 - 2500 - 0
Lövnord	COM/BK 0025	
Approved	Take over department	
Johansson	Database	
Design engineering review		
Gutman		
ABB ABB Components		Document No. 2751369-106
Language		82
Page		1(1)